

# CLEVERTOUCH<sup>®</sup> TECHNOLOGIES

by Boxlight

## Intelligent Sensor Module



**Temperature** – It's easier to focus on important work tasks when the temperature settings are right. A work setting that's too hot can cause feelings of drowsiness and sluggishness. If the environment is too cold, blood flow is often slowed and can cause your staff to feel more lethargic.

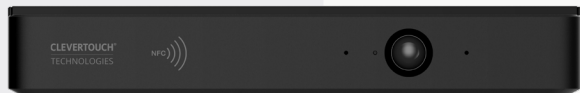
**PM 2.5** – Breathe easy knowing that you can track the quality of the air around you. PM2.5 are particle matter that are 2.5 microns or smaller in diameter. Airborne particle matter is not a single pollutant, but a mixture of many chemicals.

**Humidity** – Essential to human health, low humidity allows germs to spread further and irritates the airways, whilst high humidity can cause problems that contribute to allergies. The optimum range of humidity for human health is 30-50%.

**VOCS** - VOCs include a variety of chemicals that can cause eye, nose and throat irritation, shortness of breath, headaches, fatigue, nausea, dizziness and skin problems. Higher concentrations may cause irritation of the lungs, as well as damage to the liver, kidney, or central nervous system.



Use either an NFC card or a RFID fob to sign-in within seconds, giving you access to your favourite apps, your cloud accounts and your preferred settings.



*Specifications overleaf.*

# CLEVERTOUCH®

## TECHNOLOGIES

by Boxlight



The intelligent sensor module device slots onto the bottom of your IMPACT Plus 2.0 or UX Pro 2.0 display. Our sensors keep track of air quality, light, temperature and humidity.

\*\* View the data of all of your screens via ClevertouchLive. If the environment is not ideal, send an automated message back to your IMPACT Plus 2.0 or UX Pro 2.0 with an instruction for the people in the room. Use the data to better plan for your heating and air conditioning, and save money on unnecessary heating measures.

\*\*Coming soon\*\*

### Standard Specifications

<b>PIR Sensor</b>	Detection Distance	3-5M
	Detection Angle:	H:±40°(80°) V:±27.5°(55°)
<b>Humidity</b>	Accuracy	±5%
	Range	5%RH to 95%RH
<b>Temperature</b>	Accuracy	±1-2°C
	Range	-20°C-85°C
<b>NFC</b>	Operation Mode	Reader/Writer
<b>PM 2.5</b>	Detecting Distance	3-5cm
	Supporting ISOs	15693 @ 13.56MHz and 14443 @ 13.56MHz
	Detecting Range	0-10000µg/m3
	Response time	<2s
<b>VOCS</b>	Detecting Range:	400-29000ppm

### Environmental Conditions

<b>Operation Temperature</b>	0°C - 4°C
<b>Operation Humidity</b>	10% - 90%RH
<b>Storage Temperature</b>	-20°C - 60°C
<b>Storage Humidity</b>	10% - 90%RH
<b>Altitude</b>	Below 5000 meters

### What's Included

<b>NFC Card</b>	x1
<b>User Manual</b>	x1

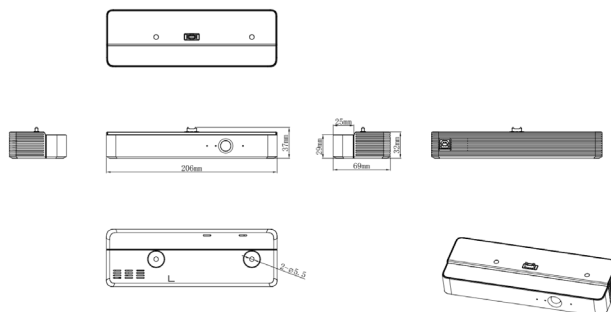
### Product Technical Drawings

### Power

<b>Internal Power</b>	5A/1A
-----------------------	-------

### Physical Specifications

<b>Dimension (package) L×W×H</b>	206*69*31.7mm
<b>Dimension (package) L×W×H</b>	275*228*63mm
<b>Net Weight</b>	180g
<b>Gross Weight</b>	TBD



Product effects (included but not limited to appearance, colour and size). Please refer to the product. Due to the influence of product configuration and manufacturing process, the actual size/weight of the fuselage may differ. In order to provide accurate specification parameters and product characteristics as much as possible, it is possible to adjust and revise the text description and picture effect of this specification in real time, so as to match the actual product performance, specifications and other information. No special notice will be given if necessary.